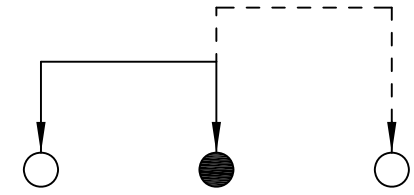
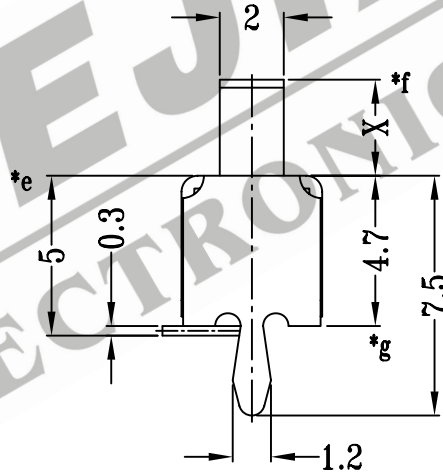
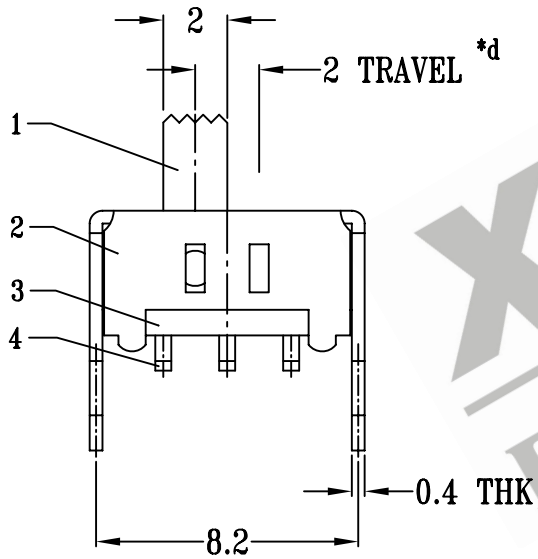
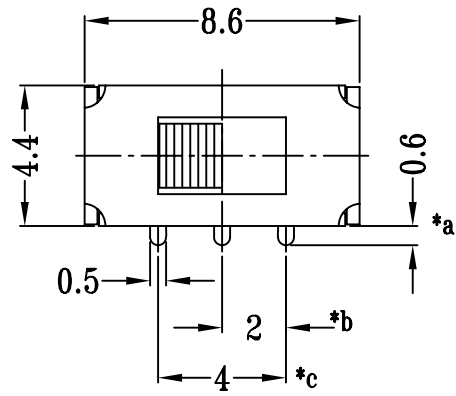
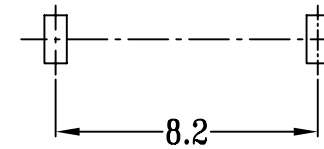


CAD FILE :



**SCHMATIC (NON-SHORTING)**



**P.C.B LAYOUT**

注:带"\*"表示关键尺寸(7个)

NO.	PARTS	MATERIALS	Q'TY	FINISH	TOLERANCE UNLESS SPECIFIED	SHENZHEN XIEJIA ELECTRONICS CO.,LTD.																										
8						<table border="1"> <tr> <td>ISSUE</td> <td>DATE</td> <td>DESCRIPTIONS OF REVISION</td> <td>APPD</td> </tr> </table>				ISSUE	DATE	DESCRIPTIONS OF REVISION	APPD																			
ISSUE	DATE	DESCRIPTIONS OF REVISION	APPD																													
7																																
6	SPRING PLATE	STAINLESS STEEL	1	NATURAL	WITHIN: 1.5±0.1mm OVER : 1.5±0.2mm	<table border="1"> <tr> <td colspan="2">TITLE: VERTICAL SLIDE SWITCH</td> <td>UNIT : mm</td> <td colspan="2">DRWG NO : XJ-DR-SS12D42-00</td> </tr> <tr> <td colspan="2">MODEL: SS-12D42</td> <td>SCALE : 4:1</td> <td>DWN.</td> <td>ZHOUYU</td> <td>2003-4-18</td> </tr> <tr> <td colspan="2"></td> <td></td> <td>CHK'D</td> <td>FANGYING</td> <td>2003-4-18</td> </tr> <tr> <td colspan="2"></td> <td></td> <td>APPD.</td> <td>KANGXINAN</td> <td>2003-4-18</td> </tr> </table>				TITLE: VERTICAL SLIDE SWITCH		UNIT : mm	DRWG NO : XJ-DR-SS12D42-00		MODEL: SS-12D42		SCALE : 4:1	DWN.	ZHOUYU	2003-4-18				CHK'D	FANGYING	2003-4-18				APPD.	KANGXINAN	2003-4-18
TITLE: VERTICAL SLIDE SWITCH		UNIT : mm	DRWG NO : XJ-DR-SS12D42-00																													
MODEL: SS-12D42		SCALE : 4:1	DWN.	ZHOUYU	2003-4-18																											
			CHK'D	FANGYING	2003-4-18																											
			APPD.	KANGXINAN	2003-4-18																											
5	CONTACT CLIP	PBS	1	Ag CLAD																												
4	TERMINAL	BRASS STRIP	3	Ag PLATED OVER Ni PLATED																												
3	BASE	PHENOLIC RESIN	1	NATURAL																												
2	FRAME	STEEL STRIP	1	Ni PLATED																												
1	KNOB	POM	1	BLACK																												
					ALL MATERIALS MUST BE COMPLIANT TO ROHS																											